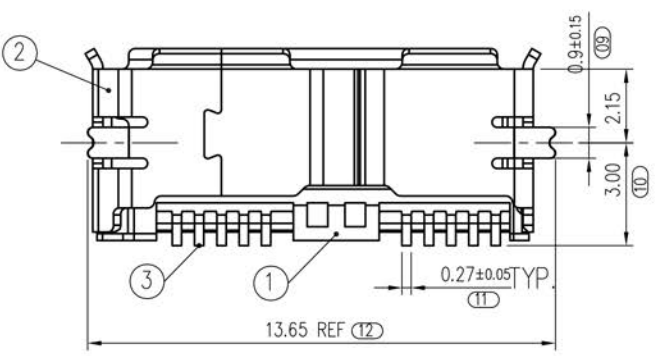
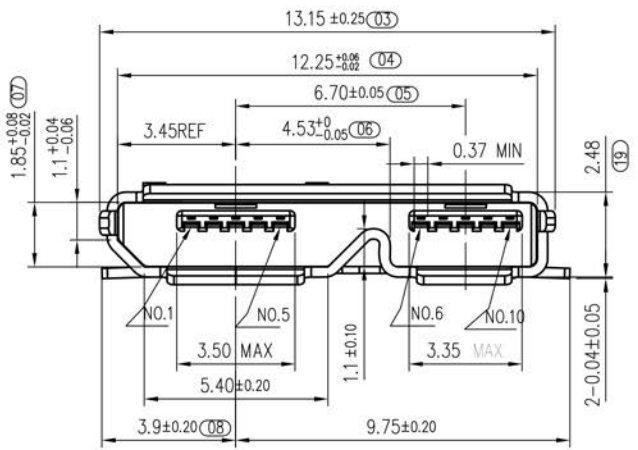
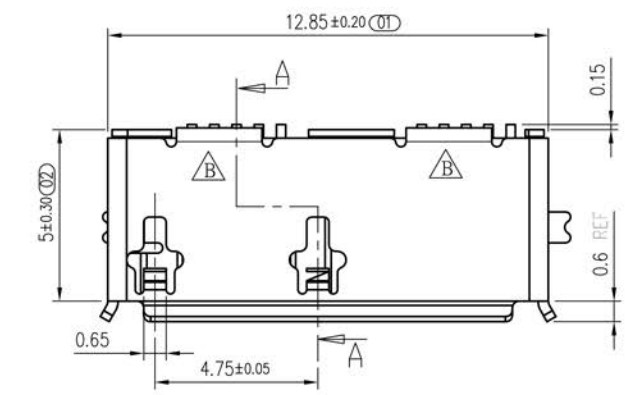
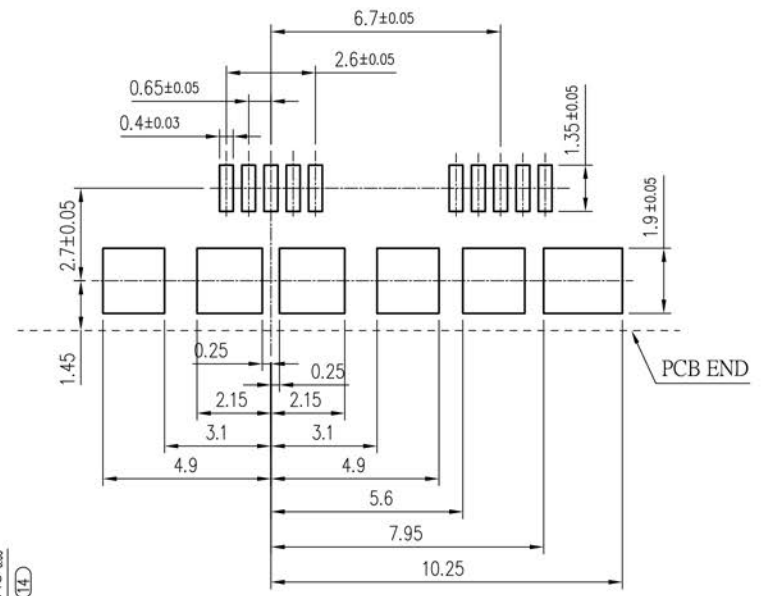
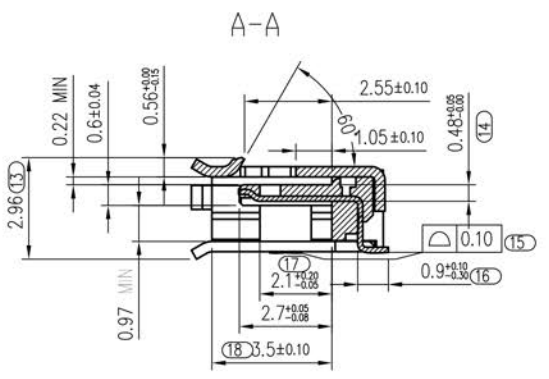


0É Foxit PDF Editor ±à¼-
 °æÈ ÈùÖÐ (c) by Foxit Software Company, 2004
 ½òÒÀÙÆ¹ÀĲ



MUB3B-02XXX30X

Other:
 01: No logo
 02: Logo, "TXJ"
 Color:
 B: Black R: Red
 E: Blue G: Green
 Y: Yellow W: White
 Contact Finish :
 00: Material 10: 10u"Gold
 01: G/F 15: 15u"Gold
 05 : 5u"Gold 30: 30u"Gold



RECOMMENDED PCB LAYOUT

NOTES:

1. INSULATOR:LCP . COLOR-BLACK
2. USB CONTACT: BRASS,0.15mm THICKNESS, GOLD PLATED ON CONTACT AREA, GOLD FLASH OR 50 U" TIN PLATED ON SOLDER TAIL, 80 U" MIN. NICKEL UNDER PLATED OVERALL.
3. SHELL: STAINLESS STEEL ,0.3 THICKNESS,GOLD FLASH OR 40U" NICKEL PLATED ON THE SOLDERING TAB.

Pin Assignments

Shell	Shield		
10	MicB_SSRX+		
9	MicB_SSRX-		
8	GND_DRAIN		
7	MicB_SSTX+		
6	MicB_SSTX-		
5	GND		
4	ID		
3	CONTACT	3	D+
2	SHELL	2	D-
1	HOUSING	1	VBUS
ITEM	DESCRIPTION	PIN NO.	SIGNAL NAME

TOLERANCE OTHERWISE XXX ±0.10 XX ±0.20 X ±0.30 X° ±2°	UNLESS SPECIFIED	<table border="1"> <tr> <td>DRAM NO</td> <td>KCD</td> <td>DATE</td> <td colspan="2">DRAW NAME</td> </tr> <tr> <td>DWN</td> <td>林云</td> <td>12.02.05</td> <td colspan="2">Micro USB 3.0 B-F SMT</td> </tr> <tr> <td>CHK</td> <td></td> <td></td> <td colspan="2"></td> </tr> <tr> <td>APVD</td> <td></td> <td></td> <td colspan="2">P/N:</td> </tr> </table>				DRAM NO	KCD	DATE	DRAW NAME		DWN	林云	12.02.05	Micro USB 3.0 B-F SMT		CHK					APVD			P/N:	
DRAM NO	KCD	DATE	DRAW NAME																						
DWN	林云	12.02.05	Micro USB 3.0 B-F SMT																						
CHK																									
APVD			P/N:																						
 Third Angle Project		FINISH	UNIT	SCALE	WEIGHT	REV	SHEET																		
		MATERIAL	mm	1:1		A	1 OF 1																		

△		外壳加宽，修改图面	Brook	2011-8-5
LTR	ECN NO	REVISION RECORD	DRAW	DATE